



PP-6 and PP-6A Assembly Instructions

PP-6

NOTE: The ceiling should be capable of supporting a weight of at least five times the projector or monitor weight. If it cannot, the ceiling must be reinforced. Proper installation procedure by qualified personnel as outlined in the installation instructions must be adhered to. Failure to do so could result in serious personal injury.

1. Install the PP-6 securely to the ceiling structure in accordance with proper commercial standards. Use suitable hardware depending on the installation requirements (Figure 1).
2. Install the desired length of 2" diameter NTP pipe with threaded ends for the PP-6.
3. Tighten the 1/4" x 20 x 1/2" locking screw to the PP-6 to secure the pipe so it will not swivel.

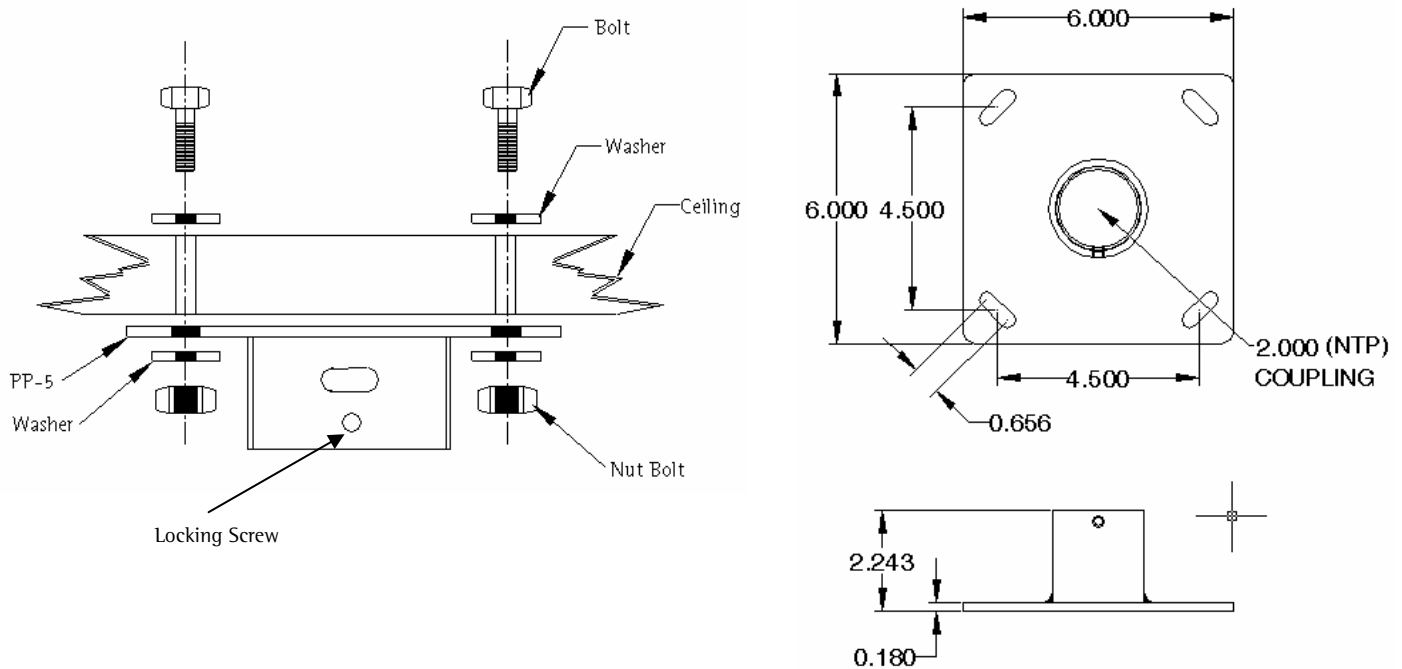


Figure 1



PP-6A

WARNING: The ceiling should be capable of supporting a weight of at least five (5) times the weight intended to hang from the PP-6A, if it cannot, the ceiling must be reinforced. Proper installation procedure by qualified personnel as outlined in the installation instructions must be adhered to. Failure to do so could result in serious personal injury.

1. Install the PP-6A to the ceiling structure according to commercial standards.
2. Use (commercially available) suitable hardware depending on the installation requirements.
3. See Figure 2 for cable access and 360° rotation.
4. Tighten the M6 x 12mm screws to secure the pipe.

